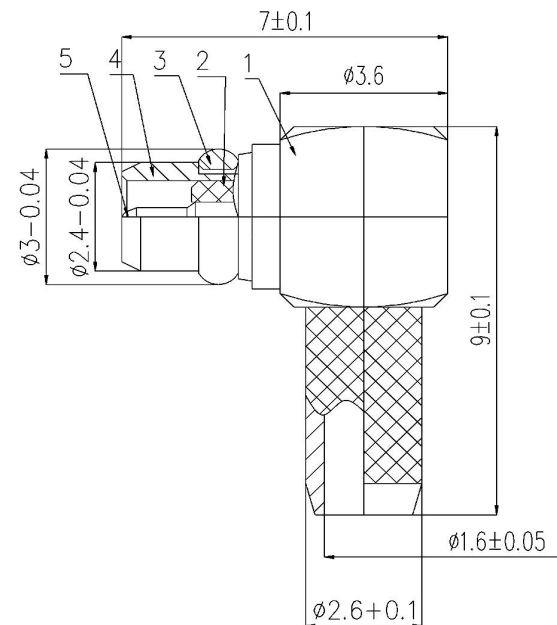
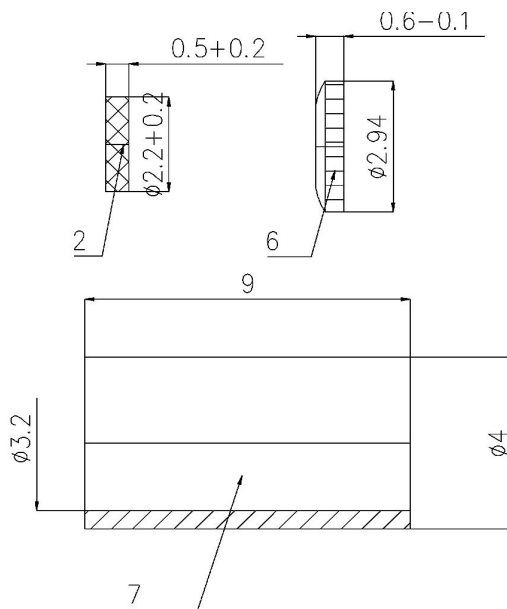
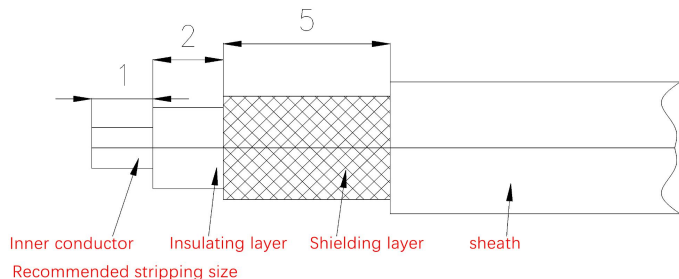


THIS DRAWING UNPUBLISHED. RELEASED FOR PUBUCATION


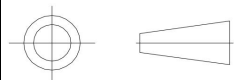
| LOC | DIST | REVISIONS | | | | |
|-----|------|-----------|-----|------|-----|------|
| --- | --- | P | LTR | DATE | DWN | APVD |
| | | --- | --- | --- | --- | --- |



- NOTES:
- ELECTRICAL:
 - IMPEDANCE: 50Ω
 - INSULATION RESISTANCE: 5000M Ω
 - FREQUENCY RANGE: DC-6 GHz
 - DIELECTRIC WITHSTANDING VOLTAGE: 750V MAX AT SEA LEVEL
 - VSWR: ≤1.20:1
 - INSERTION LOSS: 0.25dB (MAX)

| 1 | 2 | 3 | 4/5/6 | 7 |
|--------------------------------|------|------------------|--------------|-------------------|
| BRASS | PTFE | BERYLLIUM BRONZE | BRASS | BRASS |
| GOLD PLATING | / | GOLD PLATING | GOLD PLATING | PLATE WITH NICKEL |
| Accept custom sizes and styles | | | | |

- ENVIRONMENTAL:
 - TEMPERATURE RANGE: -55° to +125°
- MATERIAL AND FINISH:
 - INNER CONDUCTOR MATERIAL: BERYLLIUM BRONZE GOLD PLATING
 - INSULATOR: PTFE
 - EXTERNAL CONDUCTOR MATERIAL: BRASS GOLD PLATING

| | | | | |
|---|--|---|---|------------------------------|
| THIS DRAWING IS A CONTROLLED DOCUMENT | | 21/10/2021 |  Shenzhen xinqiyuan Technology Co., Ltd. | |
| | | CHK | | |
| DIMENSIONSMM | | TOLERANCES UNLESS OTHERWISE SPECIFIED: ±0.1 | NAME MMCX Male RF Coaxial Connector Cable Connector | |
|  | | Note: Dimensions (mm / [inch]) | APVD | DRAWING NO XQY-MMCXJW3-TB |
| | | | APPLICATION SPEC | |
| | | | WEIGHT | SIZE A4 |
| | | | | CAGE CODE 01021 |