

4

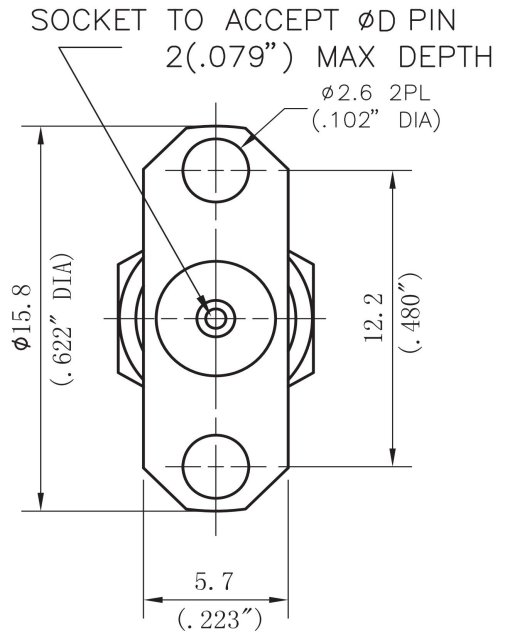
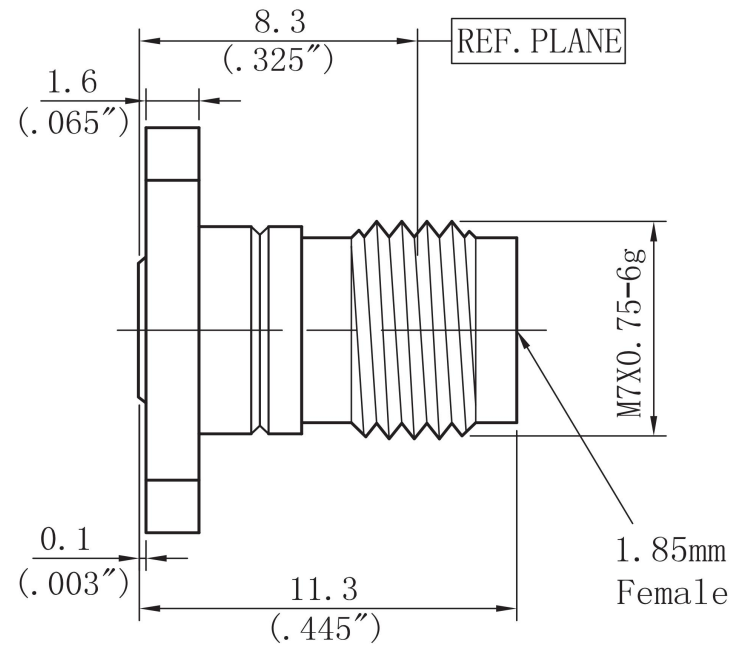
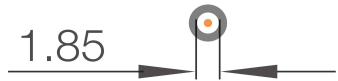
3

2

1

THIS DRAWING UNPUBLISHED.	RELEASED FOR PUBUCATION
---------------------------	-------------------------

LOC	DIST	REVISIONS					
---	---	P	LTR		DATE	DWN	APVD
			---	---	---	---	---


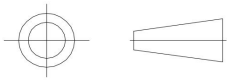


- NOTES:
- ELECTRICAL:
 - IMPEDANCE: 50Ω
 - INSULATION RESISTANCE: 5000M Ω
 - FREQUENCY RANGE: DC-67 GHz
 - DIELECTRIC WITHSTANDING VOLTAGE: 1000V MAX AT SEA LEVEL
 - VSWR: ≤1.25:1
 - INSERTION LOSS: 0.30dB (MAX)

MODEL	ØD1	
XQY-18FS23F04-M	0.23mm/0.009"	
XQY-18FS30F04-M	0.30mm/0.012"	
Accept custom sizes and styles		

- ENVIRONMENTAL:
 - TEMPERATURE RANGE: -55° to +165°

- MATERIAL AND FINISH:
 - INNER CONDUCTOR MATERIAL: BERYLLIUM BRONZE GOLD PLATING
 - EXTERNAL CONDUCTOR MATERIAL: STAINLESS STEEL PASSIVATED
 - INSULATOR: PTFE

THIS DRAWING IS A CONTROLLED DOCUMENT		21/10/2021	 Shenzhen xinqiyuan Technology Co., Ltd.		
		CHK			
DIMENSIONSMM		TOLERANCES UNLESS OTHERWISE SPECIFIED: ±0.1	APVD	NAME 1.85 mm Female RF Coaxial Connector Detachable	
		Note: Dimensions (mm / [inch])	APPLICATION SPEC	DRAWING NO XQY-18FS23F04-M	
			WEIGHT	SIZE A4	CAGE CODE 01021

4

3

2

1

D

C

B

A

D

C

B

A