

PS2-A10-DC/5-SF-I 有源功率分配器 Active Power Splitter

描述 DESCRIPTION:

有源功率分配器是一路输入两路（或四路）输出的器件。它的典型应用是将信号(如GPS/Galileo/GNSS信号)进行分配并放大输出给两个或四个（GPS）接收设备。同时功分器还提供直流馈电功能，可对（GPS）有源天线进行直流馈电，直流电从OUT1输入并从ANT输出。

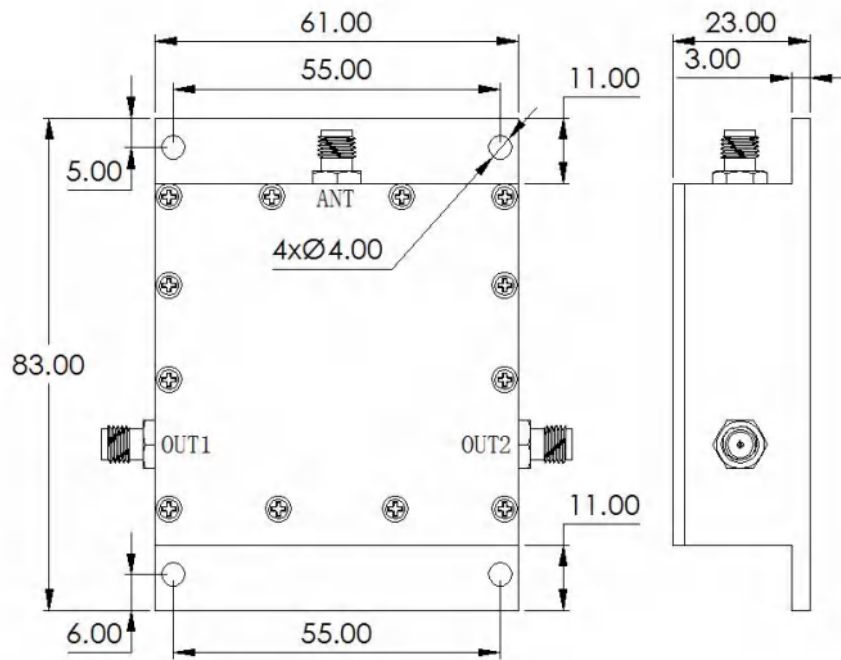
The Active Splitter is a one-input, two/four-output power splitter device. The typical application for this splitter allows an active GPS roof antenna input which is then split evenly between two/four receiving GPS units. In order to power an active GPS antenna, the Splitter can be configured to pass the DC from an RF output (OUT1) to the antenna input port.

电气特性 Electrical Specifications:

Parameter	Performance
频率范围 Frequency Range	1.1~1.7GHz Typ. (0.05~3GHz Max.)
增益 Gain	10±2dB typ. 可定制增益 Gain could be Specified: (0~18dB)
输入驻波 Input SWR	≤1.4:1(0.05~2GHz) ≤1.65:1(2~3GHz)
输出驻波 Output SWR	≤1.35:1
噪声系数 Noise Figure	≤1.8dB
输出1dB压缩点 1dB Comp. Pt	5dBm
输出三阶截断点 Output IP3	16dBm
幅度平衡 Amplified Balance	≤1dB
相位平衡 Phase Balance	≤±5°
隔离度 Isolation	≥18dB
工作电流 Operating current	24mA@12V typ.
直流馈通电流 DC Through Current	250mA Max
直流馈通电压 DC Through Voltage	3.8V~28V (OUT1 in 输入, ANT out 输出, OUT2 DC blocked隔直)
ANT端口直流电压 ANT port DC Voltage	3.3V/5.0V/12V/ DC Through Voltage
最大输入功率 Max RF Input	3dBm
连接器形式 Connector type	SMA/TNC/N
表面处理和防水 Surface Finishing & IP	IP64 (表面导电氧化 Sandblasting oxide)
	IP65 (防水烤漆 waterproof paint)

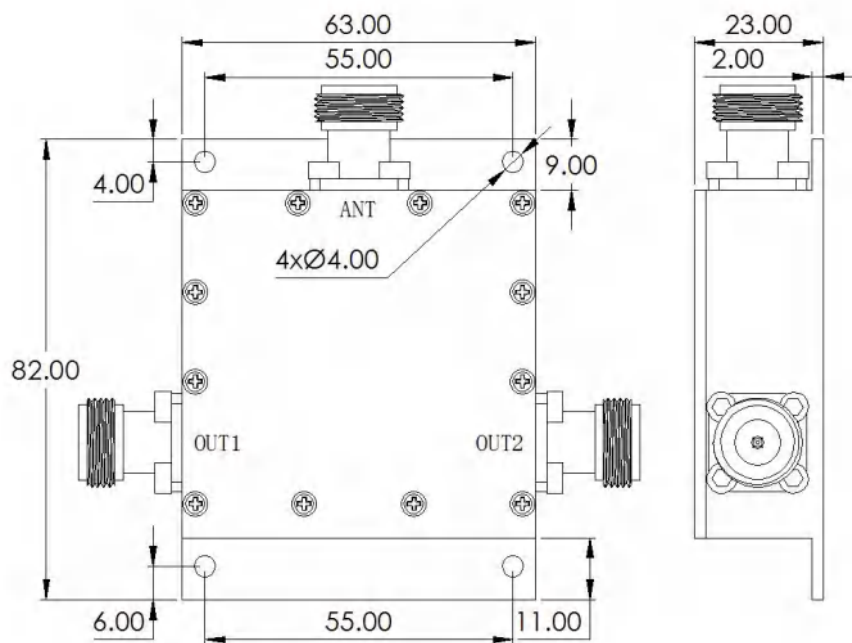
结构尺寸 Mechanical Drawing:

1) SMA连接器类型 SMA Type



注: 尺寸(mm) , 一般公差(± 0.2)
 Note: Dimensions (mm), General tolerance (± 0.2)

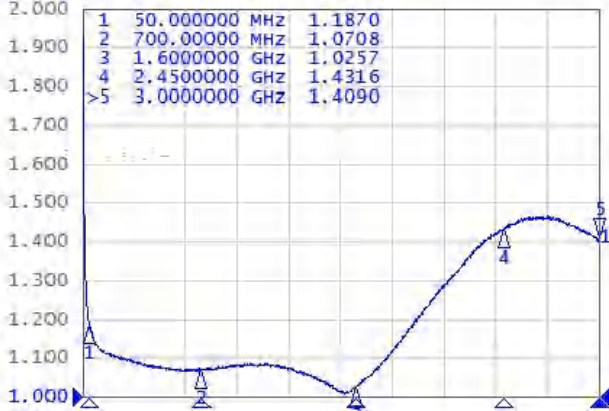
2) N型/TNC连接器类型 N type/TNC type



注: 尺寸(mm) , 一般公差(± 0.2)
 Note: Dimensions (mm), General tolerance (± 0.2)

典型测试曲线 typical test performance

Tr1 S11 SWR 100.0m/ Ref 1.000 [F2]



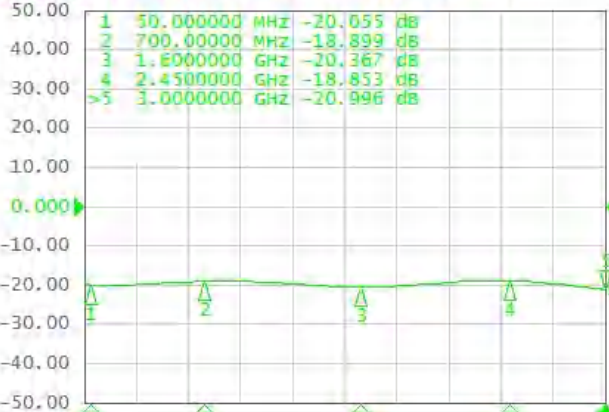
输入驻波比 (ANT port VSWR)

Tr2 S21 Log Mag 1.000dB/ Ref 10.00dB [F2]



增益(Gain)

Tr3 S12 Log Mag 10.00dB/ Ref 0.000dB [F2 Smp]



隔离度(Isolation)

Tr4 S22 SWR 100.0m/ Ref 1.000 [F2]



输出驻波比 (OUT1/OUT2 port VSWR)

产品型号名解析 Product Code Decoder:

PSX-XXX-XX/X-XX-X

Splitter Type:

PS2: 2way splitter

PS4: 4way splitter

Gain Option:

AXX: Power Gain(XXdB,0~18)

P : Passive type(no Gain)

Source Voltage:

DC: Powered by DC (3.8-28VDC input)

B : Block DC

Surface Finishing:

I: Sandblasting oxide

E: waterproof paint

Connector type:

NF: N Female

TF: TNC Female

SF: SMA Female

Antenna Output Voltage:

3.3: 3.3V(Source Voltage must be greater than 4.3V)

5: 5.0V(Source Voltage must be greater than 6V)

12: 12V (Source Voltage must be greater than 13V)

B: Block DC

P: =PDC(Source Voltage)