

4

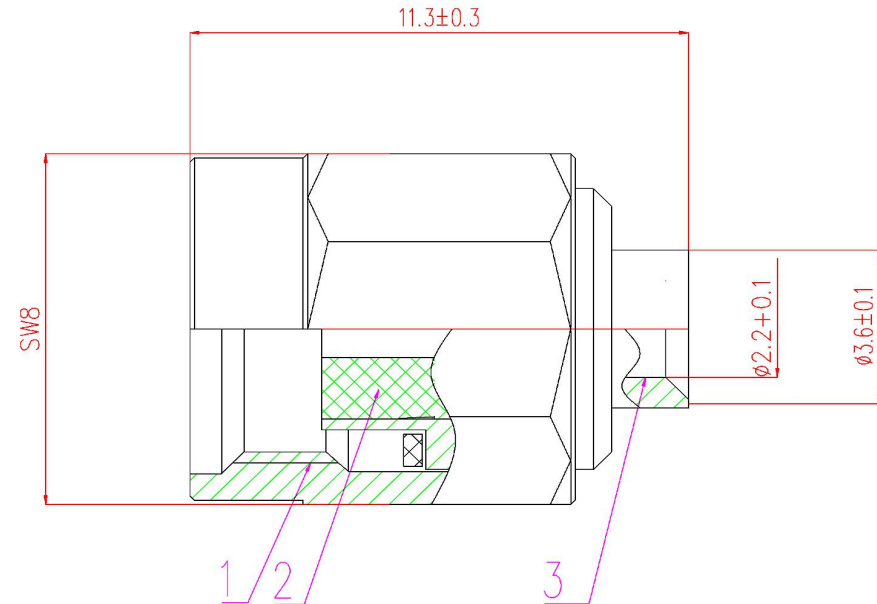
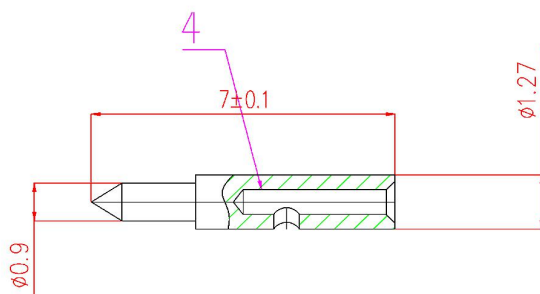
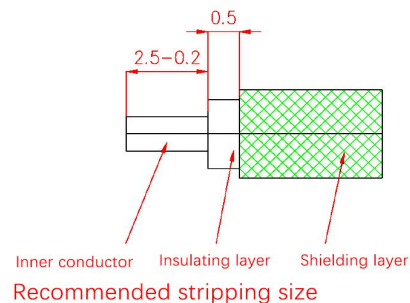
3

2

1

THIS DRAWING UNPUBLISHED.	RELEASED FOR PUBUCATION
---------------------------	-------------------------

LOC	DIST	REVISIONS				
---	---	P	LTR	DATE	DWN	APVD
---	---	---	---	---	---	---



- NOTES:
- ELECTRICAL:
    - IMPEDANCE: 50Ω
    - INSULATION RESISTANCE: 5000M Ω
    - FREQUENCY RANGE: DC-6 GHz
    - DIELECTRIC WITHSTANDING VOLTAGE: 750V MAX AT SEA LEVEL
    - VSWR: ≤1.20:1
    - INSERTION LOSS: 0.25dB (MAX)
  - ENVIRONMENTAL:
    - TEMPERATURE RANGE: -55° to +125°
  - MATERIAL AND FINISH:
    - INNER CONDUCTOR MATERIAL: BERYLLIUM BRONZE GOLD PLATING
    - INSULATOR: PTFE
    - EXTERNAL CONDUCTOR MATERIAL: BRASS GOLD PLATING

1	2	3	4	/
BRASS	PTFE	BRASS	BRASS	/
GOLD PLATING	/	GOLD PLATING	GOLD PLATING	/
Accept custom sizes and styles				

- ENVIRONMENTAL:
  - TEMPERATURE RANGE: -55° to +125°
- MATERIAL AND FINISH:
  - INNER CONDUCTOR MATERIAL: BERYLLIUM BRONZE GOLD PLATING
  - INSULATOR: PTFE
  - EXTERNAL CONDUCTOR MATERIAL: BRASS GOLD PLATING

THIS DRAWING IS A CONTROLLED DOCUMENT		21/10/2021	Shenzhen xinqiyuan Technology Co., Ltd.	
		CHK		
DIMENSIONSMM		TOLERANCES UNLESS OTHERWISE SPECIFIED: ±0.1	APVD	NAME SMA Male RF Coaxial Connector Cable Connector
		Note: Dimensions (mm / [inch])	APPLICATION SPEC	
			WEIGHT	SIZE A4
			---	CAGE CODE 01021
				DRAWING NO XQY-SMAJB2-TB

4

3

2

1