

4

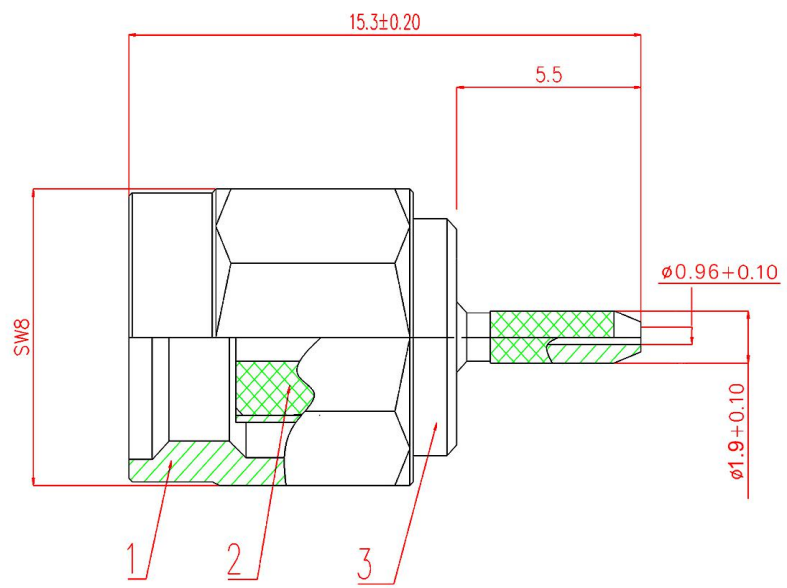
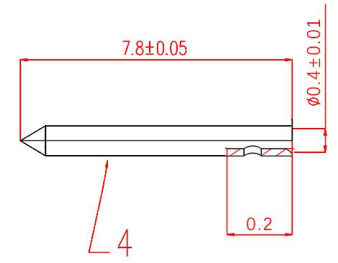
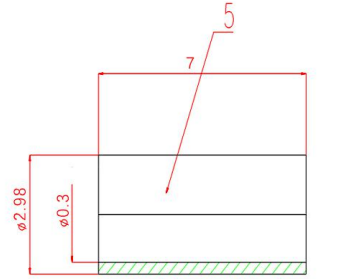
3

2

1

THIS DRAWING UNPUBLISHED.	RELEASED FOR PUBUCATION
---------------------------	-------------------------

LOC	DIST	REVISIONS				
P	LTR	DATE	DWN	APVD		
---	---	---	---	---	---	



- NOTES:
- ELECTRICAL:
 - IMPEDANCE: 50Ω
 - INSULATION RESISTANCE: 5000M Ω
 - FREQUENCY RANGE: DC-6 GHz
 - DIELECTRIC WITHSTANDING VOLTAGE: 750V MAX AT SEA LEVEL
 - VSWR: ≤1.20:1
 - INSERTION LOSS: 0.25dB (MAX)
 - ENVIRONMENTAL:
 - TEMPERATURE RANGE: -55° to +125°
 - MATERIAL AND FINISH:
 - INNER CONDUCTOR MATERIAL: BERYLLIUM BRONZE GOLD PLATING
 - INSULATOR: PTFE
 - EXTERNAL CONDUCTOR MATERIAL: BRASS GOLD PLATING

1	2	3	4	5
BRASS	PTFE	BRASS	BRASS	BRASS
GOLD PLATING	/	GOLD PLATING	GOLD PLATING	PLATE WITH NICKEL
Accept custom sizes and styles				

- ENVIRONMENTAL:
 - TEMPERATURE RANGE: -55° to +125°
- MATERIAL AND FINISH:
 - INNER CONDUCTOR MATERIAL: BERYLLIUM BRONZE GOLD PLATING
 - INSULATOR: PTFE
 - EXTERNAL CONDUCTOR MATERIAL: BRASS GOLD PLATING

THIS DRAWING IS A CONTROLLED DOCUMENT		21/10/2021	Shenzhen xinqiyuan Technology Co., Ltd.	
		CHK		
DIMENSIONSMM	TOLERANCES UNLESS OTHERWISE SPECIFIED: ±0.1 Note: Dimensions (mm / [inch])	APVD	NAME SMA Male RF Coaxial Connector Cable Connector	
		APPLICATION SPEC	SIZE A4	CAGE CODE 01021
		WEIGHT		

4

3

2

1